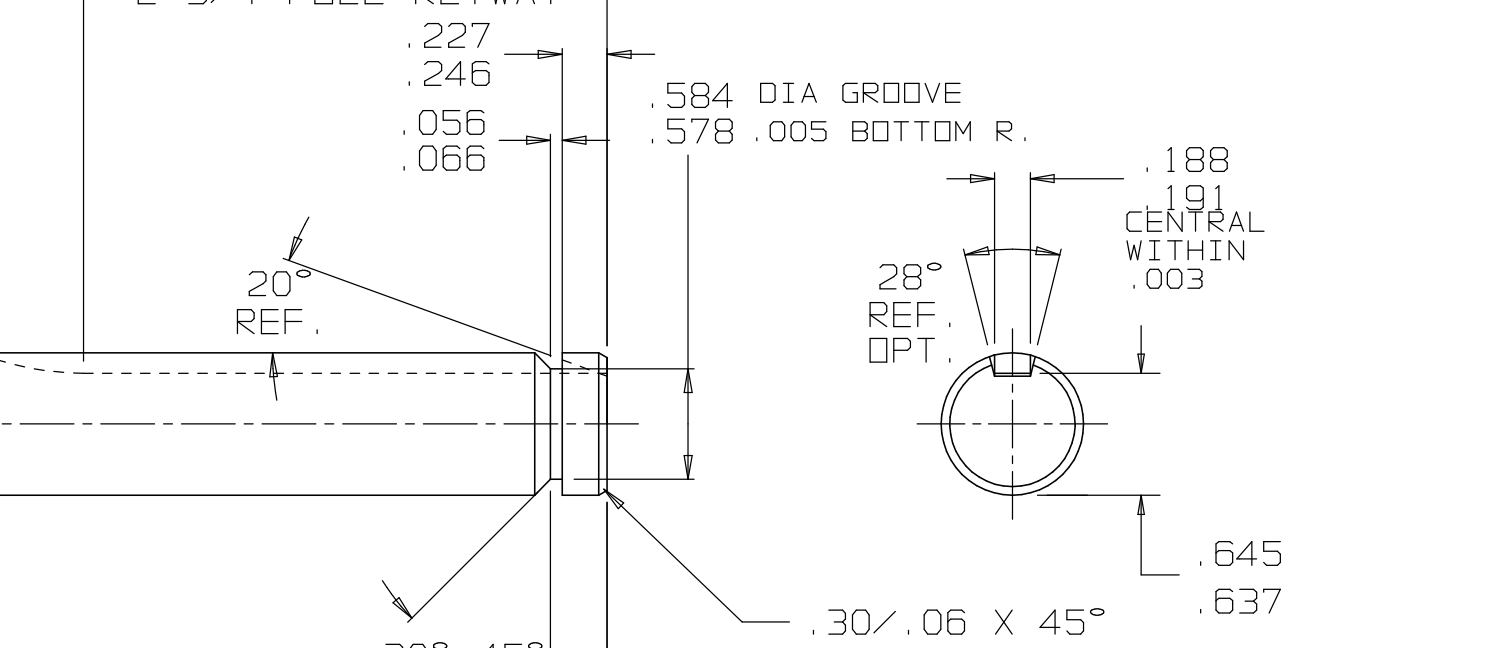


NOTE:  
SHIM DIFFERENTIAL TO .015 MAXIMUM LOOSENESS WITH 1687 WASHERS IF NECESSARY. AXLES SHOULD TURN FREE WITHOUT STICKING OR BINDING. SEAL UNIT WITH SEALANT PER ENGINEERING DRAWING NUMBER 6121-P91. APPLY LIGHT FILM OF OIL TO AXLE POCKETS. FILL UNIT WITH (2) UNITS 1239-X1 OIL.

NOTE:  
FOR PRODUCTION TEST REQUIREMENTS SEE 4595-P1 SPEC SHEET.  
FOR LEAK TEST SPEC SEE 6215-P1 SPEC SHEET.



ANGLE OF THROW FROM NEUTRAL	FORWARD RATIOS	
	FIRST	91.412:1
10°30'	68.559:1	
	60.249:1	
18°30'	47.464:1	
	34.279:1	
26°30'	30.918:1	
	27.931:1	
	22.853:1	
34°30'	20.676:1	
	15.235:1	
	13.711:1	
	REVERSE RATIOS	
11°30'	47.464:1	

PRODUCTION RELEASE 1166411AUG05/MB  
COST REQUEST A-3928

LT. LOC.	CHANGE RECORD	ENG. NOT. DATED CK.
----------	---------------	---------------------

THIS DRAWING OR PRINT IS THE PROPERTY OF TECUMSEH PRODUCTS COMPANY (TECUMSEH) AND CONTAINS PROPRIETARY AND CONFIDENTIAL INFORMATION BELONGING TO TECUMSEH. IT IS MADE AVAILABLE TO THE RECIPIENT ON THE EXPRESS AND SPECIFIC CONDITION THAT NEITHER IT NOR THE INFORMATION CONTAINED THEREIN OR DISCLOSED THEREIN SHALL BE DISCLOSED OR MADE AVAILABLE TO OTHERS WITHOUT THE EXPRESS AND SPECIFIC WRITTEN CONSENT OF TECUMSEH AND THAT SUCH INFORMATION SHALL BE USED ONLY AS EXPRESSLY AND SPECIFICALLY APPROVED IN WRITING BY TECUMSEH AND NOT OTHERWISE. (11) SHALL NOT BE COPIED OR REPRODUCED IN ANY MANNER OR TO ANY EXTENT WITHOUT TECUMSEH'S PRIOR EXPRESS AND SPECIFIC WRITTEN CONSENT AND (11) SHALL BE RETURNED BY THE RECIPIENT THEREOF TO TECUMSEH AT THE LATTER'S REQUEST PROMPTLY AFTER SUCH REQUEST IS MADE.

THIS DRAWING CONFORMS TO CLASSIFICATION OF CHARACTERISTICS FOR QUALITY CONTROL PURPOSES (THE FOLLOWING SYMBOLS WILL BE USED):  
CATEGORY I ● CATEGORY II ⊕ CATEGORY III ⊙ CATEGORY IV ○

**DO NOT SCALE THIS DRAWING**  
TOLERANCES AND CLASSIFICATION OF CHARACTERISTICS UNLESS OTHERWISE SPECIFIED  
FRACTIONAL 1/32 ○ .00 1/4 ○ .020 ○ .000 1/2 ○ .010 ○ ANGULAR ± 1/2 ○  
ALL DIMENSIONS IN INCHES

SIMILAR PART NO. 204-521C PROJECT NO. ECR-6058 THIS PRINT SUPERSEDES ALL PRINTS PRIOR TO

NAME  
**MST TRANSAXLE 4 SPD**

EX. PART NO. EP-17243 DWN. 11AUG05 CK. BRUNER APR. SCALE FULL

MATERIAL  
PEERLESS DIVISION  
TECUMSEH PRODUCTS COMPANY

PART NO.  
**204-564**

NOTE: AXLES POSITIONED INWARD AND AT MEAN LOCATION