

MAX DUMPER

***ENGINE POWERED
PEDESTRIAN DUMPER***

***OWNERS & OPERATIONS
INSTRUCTION MANUAL***

CONGRATULATIONS!

And thank you for purchasing a new **max dumper**.

We have done our utmost to ensure your max dumper will be the most trouble free and productive machine you will ever use. Please read the operators manual carefully before using your max dumper.

If you would like help or have any questions
Please have the following relevant information before you call us

Date of purchase:
Serial number:
Dealer/Distributors name:
Year of Manufacture:

CERTIFICATE OF CONFORMITY

THE UNDERSIGNED OF NICHE Product Sales LLC.
WE DECLARE THAT THE PEDESTRIAN DUMPER TRUCK

CATEGORY.....PETROL – HONDA – 4 STROKE – PEDESTRIAN DUMPER
MODELMAX DUMPER.

CONFORMS WITH THE ESSENTIAL HEALTH & SAFETY REQUIREMENTS
OF THE EEC DIRECTIVE
98/37/EC (edition L 207)
previously 89/392/EEC – 93/44/EEC Amendment
Basic Noise Emission Standard – EN ISO 3744 – dB 97 Lwa

H.A.V.s

Machinery Directive 89/392/EEC
The supply of (Safety) regulations 1992 (as amended: 1994), for conformity in a EU market

Left hand - idle – 2.79 m/s²
 racing – 4.95 m/s²

Right hand - idle – 3.10m/s²
 racing – 5.86 m/s²

Specified testing unit to: ISO 8041, ISO 5349 and BS 6842
PLACE: 586 NW Mercantile Place, Off Peacock Road, Port St. Lucie, FL 34986 USA

NAME & SIGNATURE OF TECHNICAL MANAGER Niche Product Sales LLC.



Terry Rowlands

HINTS FOR SAFE OPERATION

- DO** Study engine manual before operating your **max dumper**.
- DO** Check all nuts, bolts, & wheel nuts daily.
- DO** Be safety conscious & dress appropriately when operating your **max dumper**. Always wear substantial footwear and a hard hat in relevant areas.
- DO** Exercise extreme caution with the controls when working on steep or slippery surfaces. Especially, when people are near to the working area.
- DO** Ensure that all safety guards are in place when operating the **max dumper**.
- DO** Disengage drive by releasing clutch lever **before** operating gear change lever.

ATTENTION

- DO** Handle fuel with extreme caution. Wipe off any spilled petrol/gas before starting the engine.
- DO** Keep the engine free of any accumulation of dirt, grease, oil or other flammable material.
- DO** Allow the engine to cool before storing in a confined space.

BE SAFE : FOLLOW INSTRUCTIONS AT ALL TIME

SAFETY

- DO NOT** Allow anyone lacking in age or experience to operate your **max dumper**.
- DO NOT** Carry “passengers” on your **max dumper**.
- DO NOT** Start work without completing the daily maintenance checks.
- DO NOT** Activate gear change lever until clutch lever is released.
- DO NOT** Operate the **max dumper** without exercising appropriate safety precautions.
- DO NOT** Use other than recommended lubricants or fuels.

ATTENTION

- DO NOT** Refuel your engine when hot or in the vicinity of any naked flame or burning cigarette etc.
- DO NOT** Run the petrol/gas engine in a confined area.
- DO NOT** Run engine with air filter clogged or restricted.
- DO NOT** Allow debris or any flammable or foreign matter to build up near the exhaust.
- DO NOT** Store the **max dumper** in a location where fuel fumes may accumulate or reach a spark or open flame.
- DO NOT** Pressure wash directly onto engine electronics.

BE SAFE : EXERCISE COMMON SENSE AT ALL TIMES

OPERATING INSTRUCTIONS

GETTING STARTED:

1. Attach adjustable handles.
2. Fill tank with unleaded 4 stroke petrol/gas.
3. Position the truck on level ground and check fuel and oil levels.
4. Push the throttle/gas control lever fully forward. Pull the recoil starter two or three times to start the engine.
5. Move throttle/gas control lever (1) backwards slightly to disengage the choke and set the engine speed to fast. Allow the engine to warm up.

TO MOVE FORWARD:

1. Select required speed with gear change lever (2).
2. Hold down the **parking brake lever (3)**.
3. Gently engage clutch lever (4).
4. Regulate the engine speed with the throttle/gas control lever (1).

TO STOP:

1. Release the clutch lever (4). Gently release the **parking brake lever (3)**.

TO REVERSE:

1. Move the gear lever (2) to position R (reverse). Hold down the **parking brake lever (3)**. Gently engage clutch lever (4).

TO EMPTY SKIP:

1. Stop the machine and disengage the skip release lever (5).
2. Jerk both handles upwards; the skip will pivot forward and dump the load.

TO RESET SKIP:

1. Manually pivot the skip back into the machine.
2. The locking catch will automatically engage.

NOTE: *Check that the locking catch has engaged before moving off*

MAINTENANCE

For Engine Maintenance, Please see your Engine Manual

Routine checks of your **max dumper** will ensure trouble free operation with less 'down' time.

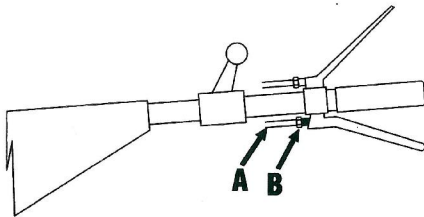
Component	Daily	Weekly
Skip Catch Spring	✓	
Belt tension		✓
Brake Adjustment	✓	
Control Cables	✓	
Air Cleaner		✓
Engine Oil Check	✓	
Tire Pressure		✓
All Nuts/Bolts		✓

Engine Oil: SAE 10W-30

Change: After 1st 2hrs; thereafter every 20hrs of continuous use

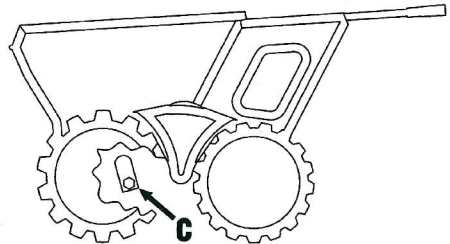
Remember – A daily check takes only minutes but could save you hours.
Be Proud – look after your **max dumper**.

TO ADJUST BELT



LOOSEN 8mm NUT B
TURN A COUNTER CLOCKWISE TO
TIGHTEN BELT - RETIGHTEN B.

TO ADJUST PARKING BRAKE



TURN NUT CLOCKWISE
TO TIGHTEN BRAKE
CHECK EVERY MONTH

WARRANTY

Max dumper SERIAL No –

12 Calendar months from date of sale

Under the following conditions:-

- Routine maintenance undertaken in accordance with Owners Manual
- Returned defective parts are approved by Niche Product Sales LLC.
- Machine is not abused or operated with known faults or lack of maintenance.
- Repairs are in accordance with Niche Product Sales LLC.

AT AN AGREED JOB RATE

Only defective parts are covered & not wearable components which necessitate replacement through normal wear & tear i.e puncture, chipped paint, dented hopper etc. Niche Product Sales LLC will not be held liable for any consequential losses.

PERSONAL CUSTOMER GUARANTEE STATEMENT

If there is any component, or components, manufactured by Niche Product Sales LLC which are found to be defective within 12 months from the date of purchase , Niche Product Sales LLC undertake to replace the faulty component/s free of charge, (provided they are notified immediately upon date of failure).

THE FOLLOWING ARE NOT COVERED BY THIS GUARANTEE

1. Engines – which are guaranteed by their respective manufacturers
2. A machine which has been subject to operation in excess of recommended capacities, misuse, negligence or accident, or has been altered or modified in a manner which has not been authorised by Niche Product Sales LLC.
3. Wear parts, e.g. belts, cables etc.
4. Transportation Charge – to and from the warranty repair site.

Niche Product Sales LLC operates a policy of continual development and reserve the right to alter product specification without giving prior notice.

SPARE PARTS LIST

Part No.	Description	Part No.	Description
DT 223	Forward/Reverse Lever Grip	MT 03292	Cowling Sides
DP03	Handle Bar Grip	MT 03295	Cowling Top
DP14	Honda Engine GXV 160	MT 03369	Cowling Front
DP18	Clutch/Skip Cable Spring	MT 03283	Handlebars
DP21	Transaxle	MT 03300	8 cu ft Skip
DP24	Front/Rear Wheel	MT 03284	Main Frame
DP31	Lynch Pin	MT 03290	Bottom Plate
MT 03341	Rear Hub Ass'y	MT 03303	Power Drive Bracket
DP35 MAX	Decal Set	MT 03020	Left/Right Torque Stay
DP45	4" Wheel	DP 05043	Clutch Reinforcement Plate
Skiffy 008 1603 000 02	Gear Change Grommet	MT 03072	Forward/Reverse Tie Rod
DP80	Front wheel Plastic Cap	DP0502014	Skip Catch Lever
DP83	19mm Star lock	DP0502015	Clutch Lever
DP 05041	Front Hub Ass'y	DP0502016	Brake Lever
MT 03346	Throttle lever c/w Cable	DP0502017	Clutch/Skip Release Cable
DP05079	Drive Pulley	DP0502017.1	Brake Cable
DP03001	Engine Pulley	DP0502018	Drive Belt 6851
DP04003	Clutch Pulley	MT 03041	Clutch Pulley Bracket
MT 03306	Forward/Reverse Lever	MT 03021	Belt Guide Tube
MT 03018	Skip Catch	MT 03308	Shifter Plate
		MT 03151	Transmission Guard

Engine information on –

www.honda-engines-eu.com

Transmission information on –

www.tecumseh.com

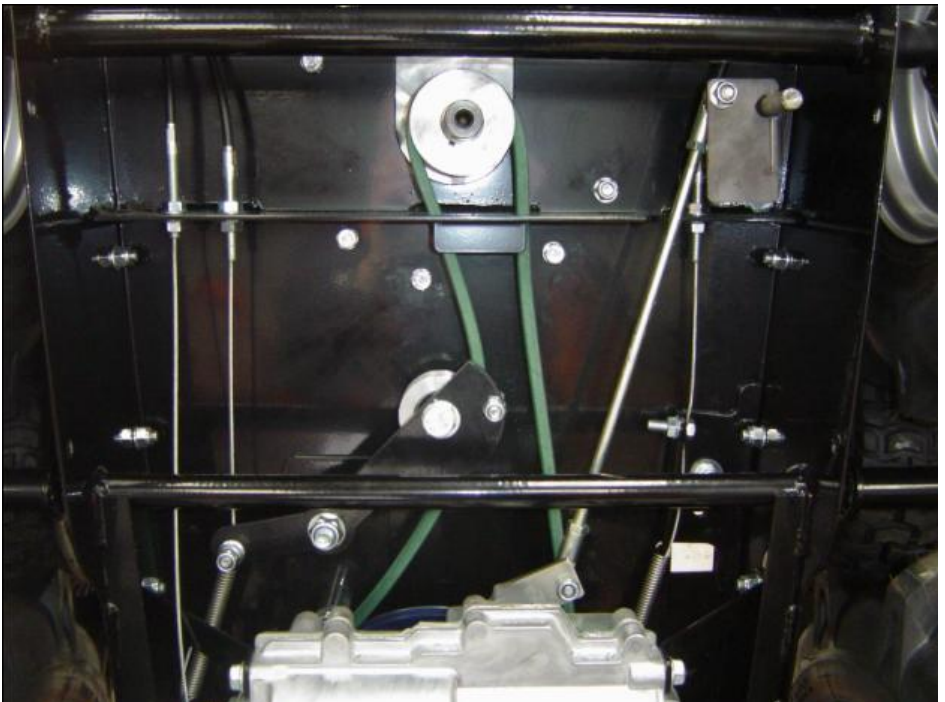
Tire Pressures

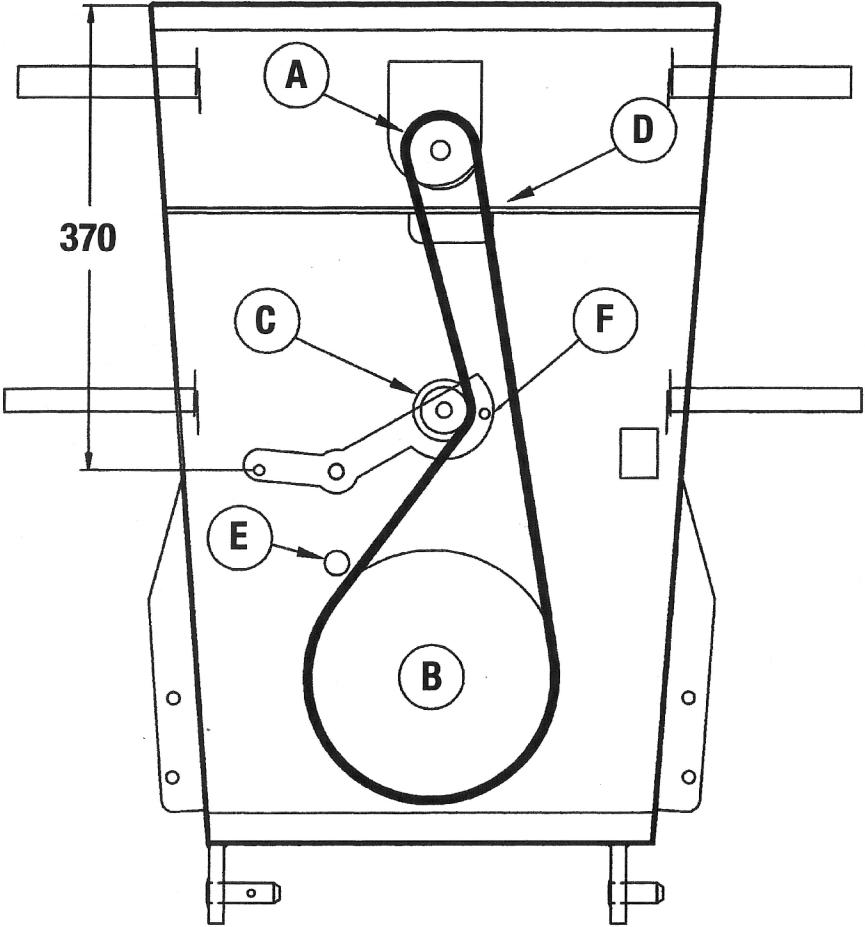
Front Wheel	30 psi
Middle Wheel	30 psi
Rear Wheel	30 psi

MAX DUMPER Belt Fitting

Remove the inspection plate located within the chassis below the engine.

1. Slacken the nut on the top of the belt guide tube (E)
2. Make sure that the belt goes round the transmission pulley (B) first
3. Then put the belt to the right hand side of the clutch/jockey pulley (C) which pushes at the back of the left hand side of the belt (flat side)
4. Make sure the belt is located through the slot in plate (D) refit the nut and bolt through hole (F). Push the belt over the transmission pulley (A)
5. Re-tighten the nut on the top of the belt guide tube (E)





MANUFACTURED BY:

**C&F MANUFACTURING PHILS. CORP..
BLDG. E&F. LOT 8 BLOCK VI
PHASE II, CEPZA, ROSARIO, CAVITE
4106 PHILIPPINES**

**Tel: +63-046-4371840 or 4371497
FAX: +63-046-4371980**

**www.maxdumper.com
Email: info@maxdumper.com**



DESIGNED BY

**Niche Product Sales LLC
586 NW Mercantile Place,
Off Peacock Road,
Port St. Lucie, FL 34986 USA**

**Tel: +1 (772) 621-3951
FAX: +1 (772) 621-3817**

**www.maxdumper.com
Email: info@maxdumper.com**