



Weed brush
WKB 660 Honda

chemical-free | effectively | sustainable

Operating instruction

Table of contents

Table of content.....	2
1 EC declaration of conformity	5
2 Legal information.....	6
3 Important general information	7
3.1 Scope of delivery.....	7
3.2 Conventions.....	8
3.2.1 Symbols and signal words	8
3.2.2 Pictogram overview	9
3.3 Marking on the machine	10
3.3.1 Warninc pictographs on the machine	10
3.4 Spare parts order	11
4 Safety and security.....	12
4.1 Intended use of the machine.....	12
4.2 Note on machine name	12
4.3 Operator requirements.....	13
4.4 Danger area.....	14
4.5 Foreseeable misuse	
Reasonably foreseeable misuse	15
4.6 Behaviour in case of an emergency	15
4.6.1 Personal injury	15
4.6.3 Fire.....	15
4.6.3 Technical complications	15
4.7 Range of application.....	16
4.7.1 Local requirements.....	16
4.7.2 Disposal	16
4.8 Responsibility of the operator	17
4.8.1 Obligations of the operator	17
4.9 Personnel responsibility	18
4.10 Observance of the operating instructions.....	19
4.11 Residual dangers and safety measures.....	19
4.12 Safety markings on the machine.....	19
4.13 Personal protective equipment	20
5 Safety notes for the operator/user	21
6 Technical data 22	
6.1 General technical data WKB 660 Honda.....	22
6.2 General technical data WKB 660 Honda.....	23
7 Assembly, initial commissioning	24
7.1 Safety and security	24
7.2 Assembly	24
7.3 Initial commissioning	24
8 Product description.....	25
9 Commissioning.. ..	26
9.1 Adjusting the handle height.....	26
9.1.1 Adjustment procedure	26

Table of contents

9.2	Adjusting the axle height	26
9.3	Adjusting the all-round protection	27
9.4	Engine start WKB 660 Honda	28
9.4.1	Opening the fuel valve	28
9.4.2	Cold start	29
9.4.3	Start at operating temperature	29
9.4.4	Pull cable... ..	29
9.4.5	After the cold start.....	29
9.5	Starting the cleaning process WKB 660 Honda	30
9.6	Engine stop WKB 660 Honda.....	31
10	Operation.....	32
10.1	Procedure description	32
10.2	Service interval.....	32
11	Maintenance and servicing	33
11.1	General information	33
11.2	Engine WKB 660 Honda.....	34
11.3	Lubrication.....	34
11.4	Replacing the brush element.....	35
11.4.1	Removal and attachment of wire brush braids.....	35
11.5	Replacing the V-belt Tightening the V-belt	36
11.5.1	Belt overview WKB 660 Honda.....	37
11.5.2	Engine belt replacement	37
11.6	Screw fittings	38
11.7	Measures after maintenance	39
11.8	Note on servicing work.....	39
11.9	List of records	39
12	Residual dangers.....	40
13	Storage conditions.....	42
14	Cleaning.....	43
15	Troubleshooting.....	44
15.1	WKB 660 Honda.....	44
16	Decommissioning	45
16.1	Decommissioning.....	45
16.2	Disassembly/Disposal.....	45
17	Warranty policy.. ..	46
18	Spare parts list.....	49
18.1	WKB 660 Honda.....	49
18.1.1	Main components	49
18.1.2	Base frame.....	50
18.1.3	Belt overview.....	51
18.1.4	Brush container WKB	52
18.1.5	Handle	53
19	List of figures.....	54
20	Overview maintenance	55

1 EC declaration of conformity

EC declaration of conformity according to Machinery Directive 2006/42/EC Annex II 1.A

The producer / distributor:
Westermann GmbH & Co. KG
Schützenhof 23
D - 49716 Meppen

hereby declares that the following product

Product name: WKB 660 Honda

Make: Westermann GmbH & Co. KG

Serial number: 66. _ _ _ _

Series/type designation: WKB 660

Description: The Westermann weed brush is designed exclusively for normal usage in the cleaning of paved areas such as yards, streets, parking lots, silo slabs and stables that are heavily infested by debris. Any use beyond this is considered improper use. The manufacturer is not liable for any resulting damage! This risk is carried solely by the user.

The Intended use also includes compliance with the operating, maintenance and repair conditions specified by the manufacturer.

The following additional EU directives have been applied:

The protection objectives of the following EC directive are adhered to.

Machinery Directive 2006/42/EC
EMC Directive 2014/30/EU

1 EC declaration of conformity

The following harmonised standards have been applied:

EN ISO 12100:2010 Safety of machinery - General principles for design -
Risk assessment and risk reduction (ISO 12100:2010)

The following other technical specifications have been applied:

Name and address of the person authorised to compile the technical documentation:

Westermann GmbH & CO. KG

Mr. Alfons Westermann

Schützenhof 23

49716 Meppen

Tel.: 05931 | 496 90 0

E-Mail: info@westermann-radialbesen.de

URL: www.westermann-radialbesen.de

Place: 49716 Meppen

Date: 13/07/2018



(signature)

Alfons Westermann Managing Director

2 Legal information

Herausgeber: Westermann GmbH & Co.KG

Publisher:

Westermann GmbH & CO. KG

Mr Alfons Westermann

Phone: +49 (0) 5931 | 496 90 0

Schützenhof 23

Fax: +49 (0) 5931 | 496 90 99

49716 Meppen

E-Mail: info@westermann-radialbesen.de

Internet: <http://www.westermann-radialbesen.de>

Managing Director: Alfons Westermann

Form of organisation: Limited partnership

Location: 49716 Meppen

Commercial Register Osnabrück, HRA 100274

Personally liable partner:

Westermann Beteiligungs-GmbH,

HRB Osnabrück no. 100562,

UST-ID no.: 193643718,

Copyright notice:

The contents of this document are protected by copyright under German copyright law and international treaties.

All copyrights to the contents of this document are owned by UPAS GmbH unless and to the extent that another author is expressly indicated or obviously recognisable.

The user is not granted or reserved any industrial property rights, rights of use or other rights by the provision of the contents. The user is prohibited from registering rights of any kind for the know-how or parts thereof.

The passing on, transfer and other dissemination of the contents of this document to third parties, the making of copies, duplicates and other reproductions as well as the utilization and other use - even in part - are prohibited without the prior, express and written consent of the author, unless and insofar as mandatory statutory provisions permit such use.

Infringements against copyright are illegal, according to §§ 106 ff. Copyright Act and grant the holders of copyrights claims for injunctive relief and damages.

Subject to change:

The Westermann GmbH & Co. KG reserves the right to change this document and the subject matter described therein at any time without prior notice, in particular to improve and expand it, provided and insofar as contractual agreements or legal requirements do not conflict with this.

3 Important general information

3.12 Scope of delivery

The operating instructions are an integral part of the working equipment and must be kept in the immediate vicinity of the machine and be accessible at all times.

The operating instructions contain important information for the safe and effective operation. The operator must therefore have carefully read and understood these operating instructions.

The prerequisite for safe working is adherence to all safety notes and instructions given in these operating instructions.

The local accident prevention regulations and general safety regulations for the specific area of application must also be observed.

The supplier documentation provided with the installed components must also be observed.






The figures are for general understanding only and may differ from the actual model.

The manufacturer accepts no liability for damage resulting from non-observance of the operating instructions, improper use, improper maintenance or repairs, unauthorised modifications, technical modifications and use of unauthorised spare parts.

3 Important general information

3.2 Conventions













3.2.1 Symbols and signal words

Symbol / signal word	Meaning
	Indicates the handling and effects of the safety information.
	Alerts you to a dangerous situation that, if not avoided, <u>will</u> result in death or serious injury.
	Alerts you to a dangerous situation that, if not avoided, <u>may</u> result in death or serious injury.
	Alerts you to a dangerous situation that, if not avoided, may result in minor or moderate injury.
	Indicates possible damage to property and other important information.

3 Important general information

3.2.2 Pictogram overview

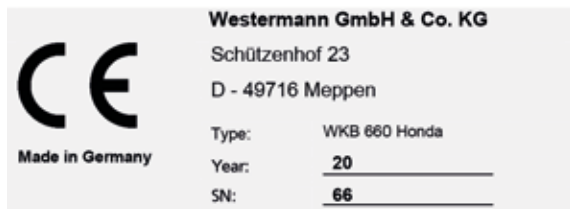
The safety notes within these operating instructions, which may endanger persons and the machine if not observed, are specifically marked by the following pictograms.

Pictogram	Meaning
	General warning sign
	Warning of danger of falling
	Warning of automatic startup
	Warning of counter-rotating rollers (danger of drawn in)
	Warning of harmful or irritating substances
	Warning of toxic substances
	Warning of hand injury
	Warning of hot surface
	Warning of danger of crushing
	Warning of danger of slipping
	Warning of electrical voltage
	Warning of obstacles on the ground

3 Important general information

3.3 Marking on the machine

A rating plate containing all basic data is attached to the weed brush WKB 660 Honda. Components and accessories by suppliers carry their own rating plates.



3.3.1 Warning pictographs on the machine



Article number: AUF-00-00016



Article number: AUF-00-000028

NOTICE

All labels must always be kept clean. Missing or damaged labels must be replaced.

3 Important general information

3.4 Spare parts order

NOTICE

When ordering spare parts or accessories, the type designation, machine number and year of manufacture must be stated. The use of accessories and spare parts from other manufacturers is only permitted after consultation with the manufacturer.

The use of original accessories and accessories authorised by the manufacturer serves safety purposes. The use of other accessories may invalidate liability for any damage resulting therefrom.

4 Safety and security

4.1 Intended use of the machine

The Westermann weed brush WKB 660 is to be used exclusively for the intended purpose described here. The WKB 660 is a hand-operated work machine. The work machine is used to remove weeds and debris from paved areas such as yards, paths, parking lots, silo slabs and stables.

The weed brush basically includes only the wire brush braids. The approved attachments are listed in the chapter Accessories.

Any use beyond this is considered improper use. **The manufacturer is not liable for any resulting damage!** This risk is carried solely by the user. The Intended use also includes compliance with the operating, maintenance and repair conditions specified by the manufacturer.

4.2 Note on machine name

Hereinafter, the weed brush WKB 660 Honda will simply be referred to as machine, WKB or weed brush.

4 Safety and security

4.3 Operator requirements



Danger due to misuse!

Misuse can lead to dangerous situations.

Therefore:

- ✓ Any use beyond or different from the intended use must be avoided.
- ✓ Strictly adhere to all information in this operating manual and, if applicable, associated documents.
- ✓ Switching operations on the control elements should only be carried out by instructed persons.
- ✓ Maintenance and servicing should only be carried out by trained maintenance personnel.
- ✓ Refrain from modifying, retrofitting or altering the design or individual pieces of equipment with the aim of changing the area of application or usability.
- ✓ Use the operating resources only with the aids specified in the operating instructions.
- ✓ Only use the operating resources when they are in a technically perfect condition.
- ✓ Use in areas with explosive atmospheres is prohibited.
- ✓ Do not exceed the load capacity of the equipment.
- ✓ Refrain from transporting persons with the equipment.

NOTICE

Maintenance and repair

Maintenance and repair work are part of the intended use and must be carried out according to the maintenance intervals.

4 Safety and security

4.4 Danger area



Danger when staying in the danger area!



Staying in the danger area is associated with risks that cannot be assessed by unauthorised persons.

Therefore:

- ✓ Always observe the danger area during operation and ensure that no persons are present therein.
- ✓ If an unauthorized person moves into the danger area, warn the person and stop the operation immediately.

The area surrounding the machine plus a safety distance of at least five metres is declared the danger area. During the working process, the area must be free of persons in order not to influence the working process and to prevent dangerous situations. Depending on their size, attachments and sweepings that are flung away can increase the danger area of the machine.



(Fig 1 - Danger area)

4 Safety and security

4.3 Foreseeable misuse | Reasonably foreseeable misuse

All use deviating from the intended use are regarded as misuse and are not permitted. This includes, e.g.

- transport of people and animals
- use as a climbing aid
- use outside the permissible operating limits

4.6 Behaviour in case of an emergency



4.6.1 Personal injury



If, during use, an incident occurs that results in personal injury, the reaction must correspond to the severity of the injury.

4.6.2 Fire



fire extinguisher

If a fire occurs, immediate actions must be taken.

- Protect people
- Fight the fire
- Repair the damage

4.6.3 Technical complications

If, during use, technical complications occur, they must be corrected by qualified personnel before further use.

4.7 Range of application

The range of application includes all sites worldwide that allow for the safe use of the machine. The application must be in accordance with the specified intended use.

4.7.1 Local requirements

The range of application includes all sites worldwide that allow for the safe use of the machine. The following criteria must be met.

- ✓ Safe assembly of the machine
- ✓ Temperature range between max. -10°C and $+40^{\circ}\text{C}$
- ✓ Suitable area of use for safe use of the WKB 660.

4.7.2 Disposal

The hazardous substances must be disposed of separately to ensure an environmentally acceptable disposal. All other materials must be sorted by their material quality and disposed of accordingly.

4.8 Responsibility of the operator

If the machine is to be used commercially, the operator is subject to the statutory provisions on work safety.

4.8.1 Obligations of the operator

The operator is responsible for the perfect condition of the machine.

- ✓ The operator must regularly check all safety devices for their functionality and completeness.
- ✓ The operator must ensure that the scheduled maintenance work is carried out as scheduled.
- ✓ The operator must inform the manufacturer immediately of any damage found.
- ✓ The operator must provide the personnel with the necessary protective equipment and check, maintain and replace defective parts according to the regulations.
- ✓ The operator must request a new copy of the operating instructions if they are in poor condition or if parts are missing.
- ✓ The operator must immediately replace all markings, signs or labels that are in poorly legible condition or that have been lost
- ✓ The operator must keep the working areas and escape routes free and in perfect condition.

4.9 Personnel responsibility

Preconditions

- ✓ Only persons who are expected to observe the safety regulations and perform their work reliably may enter the danger area.
- ✓ Persons whose ability to act is influenced by drugs, alcohol, medicines, etc. are not permitted.
- ✓ When selecting personnel, the age and occupation-specific regulations applicable at the location of use must be observed.
- ✓ The user must be at least 16 years old!

Qualifications

As a rule, all personnel may only carry out actions for which they have the necessary qualifications.

Qualified personnel for installation and commissioning

Due to their professional training, knowledge and experience as well as knowledge of the relevant regulations, they are able to perform the work assigned to them and to recognize and avoid dangerous situations independently.

Service personnel for maintenance and commissioning

Due to their professional training, knowledge and experience as well as knowledge of the relevant regulations, they are able to perform the work assigned to them and to recognize and avoid possible dangers independently.

Electrically qualified person for maintenance, installation and commissioning

Due to their professional training, knowledge and experience as well as knowledge of the relevant standards and regulations, they are able to perform work on the electrical components and to recognize and avoid possible dangers independently. The electrically qualified person is trained for the specific site at which he works and knows the relevant standards and regulations.

Instructed operating personnel for operation

Has been instructed by the operating company on the tasks assigned to him and possible dangers in the event of improper behaviour.

4.10 Observance of the operating instructions



The operating instructions are supplied by the manufacturer or supplier of the product in order to impart essential knowledge to the user for the proper and safe use, and to point out dangers in handling the machine.

Before commissioning the machine, the operating instructions must be read through; they must be strictly observed during commissioning. We would like to point out that we accept no liability for damage or malfunctions resulting from non-observance of the operating instructions.

We reserve the right to make technical changes, which are necessary for the improvement of the machine, to the illustrations and information in these operating instructions.

4.11 Residual dangers and safety measures

The knowledge and technical implementation of the safety notes within this documentation is a prerequisite for a faultless product. However, this documentation cannot cover every detail of every conceivable case of machine application. Therefore, as in any other case, a residual risk in particular due to human error remains. This documentation is intended to minimise this residual risk.

4.12 Safety markings on the machine

NOTICE

Danger and warning points as well as important information must be clearly marked on the machine and must be cleaned or replaced if they become dirty or unrecognisable.

4.13 Personal protective equipment

Personal protective equipment (PPE) is not included in the scope of delivery. Responsibility for the presence, inspection and correct use of PPE therefore lies with the operator.

- ✓ Wear PPE according to the following instructions.
- ✓ Do not enter the danger area without PPE.
- ✓ Follow the instructions on the PPE attached to the equipment.



Use foot protection

Protection of the feet against heavy falling objects, slipping, stepping on sharp objects lying around.



Use protective clothing

Tight working clothes with low tensile strength, narrow sleeves and no protruding parts. Mainly protection against being drawn into rotating machine parts. When working on electrics, use working clothes with arc protection.



Use hand protection

Protection of the hands against friction, abrasions, stabs and cuts and contact to hot surfaces. When working on live parts, use insulated protective gloves.



Use hearing protection

Protection of the auditory system against harmful sound frequencies.

If other persons are to operate the machine, they must be instructed on the operation of the machine and read through and understand the operating instructions in order to avoid accidents.

Before removing safety devices such as a safety cover, make sure that all moving parts of the machine have stopped. Removed components must be reinstalled after maintenance.

Before commencing work with the machine, ensure that no persons, animals, obstacles, etc. are in the area of the machine to prevent personal injury or damage to property.

Never transport persons on the machine or attachments.

The surface to be swept must first be cleaned of larger foreign bodies. Stones, wires, pieces of wood and the like may also be uncontrollably flung away by the weed brush.

Observe chapter 4.4 Danger area on page 13!

NOTES

Notes WKB 660 Honda

Please never leave the device run unattended!

Familiarise yourself with the handling of the engine.

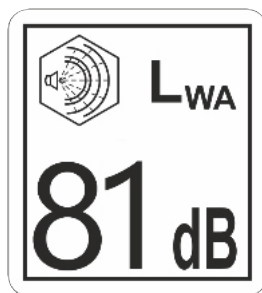
Remember how to turn off the engine in an emergency.

- ✓ Do not place any objects on the engine or put flammable liquids into its vicinity.
- ✓ Do not tilt the machine over 20°, or fuel may leak.
- ✓ Keep your feet and hands away from rotating wire bristles.
- ✓ The combustion engine will reach high temperatures. Ensure that neither persons nor objects approach the hot engine.
- ✓ During operation the exhaust becomes extremely hot and only cools down some time after the engine has been switched off. Do not touch the exhaust while it is hot. To avoid severe burns and the danger of fire, allow the engine to cool down before transportation or storing in a locked room !

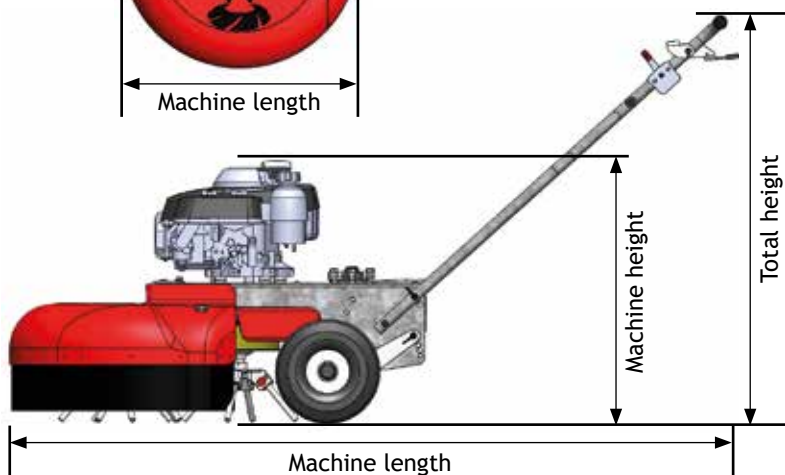
6 Technical data

6.1 General technical data WKB 660 Honda

Main dimensions	WKB 660 Honda	Unit
Machine length	1,8	metre [m]
Machine width	0,75	metre (m)
Working width	0,66	metre (m)
Machine height	0,71	metre (m)
Total height, variable	0,85 - 1,45	metre (m)
Sound power level LWA	81	dB



(Fig. 2 - Technical data)



6 Technical data

6.2 General technical data WKB 660

Technical data	WKB 660 Honda
Engine	Honda GXV 160
CO2 value	874 g/kW-h The results of the CO2 measurements follow from tests with a (parent) engine at defined test cycles under laboratory conditions. The engine is representative of the engine family and can neither include nor guarantee the performance of a single engine. The CO2 values of the Honda engines with EU type approval and the required declaration in English are published at: http://www.honda-engines-eu.com/co2-engines
Period of use	continuously
Steering bar	height-adjustable
Working width	approx. 660 mm
Direction of rotation	right
Weight	95 kg
Tyres	260 / 85 foam-filled
Guiding wheel	none
Brush	3 rotating wire brushes á 4 wire brush braids
Area capacity	1,800 m ² /h (depending on the degree of contamination)



(Fig. 3 - Technical data)

7 Assembly, initial commissioning

7.1 Safety and security

NOTICE

In order to guarantee the safety of human and machine, the simple and risk-minimising assembly/handling was considered as early as during the design. The handling device is therefore subject to all applicable DIN EN standards. Operator training and instructions are required and further reduce the safety risk.

7.2 Assembly

The complete assembly and initial commissioning is carried out exclusively by the manufacturer. The machines are subjected to an extensive test run and only delivered after the successful approval.

7.3 Initial commissioning

NOTICE

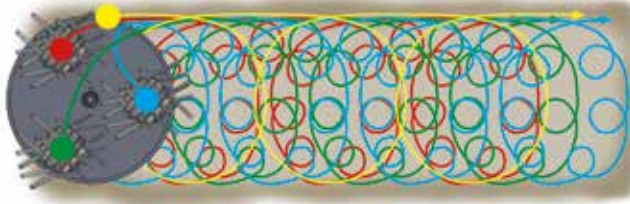
Before initial commissioning, check the entire vehicle for damage.

8 Product description

The Westermann **WKB 660 Honda** is designed and constructed for the demanding user. It is possible to remove weeds and debris from paved areas such as yards, paths, parking lots, silo slabs and stables.

The powerful 4-stroke petrol engine ensures effortless work and high operational availability.

Via the Bowden cable on the base frame the machine is easily operable. The machine design of the WKB 660 allows for the usage in almost every nook and cranny. The angle of the brush levels any unevenness. The three brush heads guided by planetary gears ensure an optimal cleaning result in the entire brush area.



(Fig. 4 - Sweeping principle WKB)

The general safety notes listed in main chapter „Safety and security“ as well as the special safety notes in the other main chapters must be observed.

The base frame consists of a robust, galvanised, torsion-free steel construction that qualifies the WKB for use in the agricultural field.

9 Commissioning

To commission the hand-operated power sweeper, it is moved from its standby position to the working position.

9.1 Adjusting the handle height

A handle height adjustment serves to set the height of the handle without the help of any tools. This allows the handle height to be ergonomically adjusted for different body sizes in short time.

9.1.1 Adjustment procedure



(Fig. 5 - Handle height)

- ✓ Unlock the locking bolt on both sides as shown in the illustration.
- ✓ Swivel the handle to the desired working position.
- ✓ Properly relock the locking bolt in the bore pattern.

9.2 Adjusting the axle height

Depending on the degree of wear of the braided wires, the adjustable axle of the machine must be readjusted. The horizontal alignment ensures the clean and even wear of the wire brush braids.

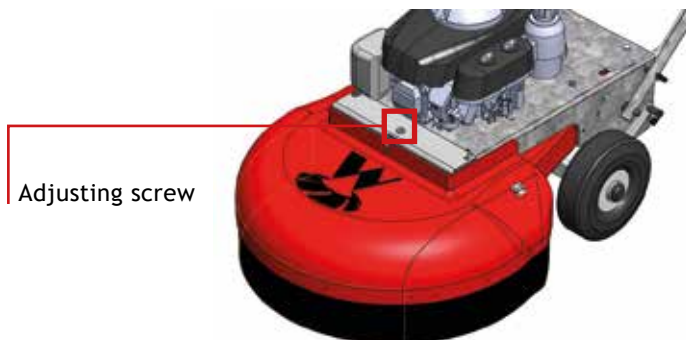


(Fig. 6 - Axle adjustment)

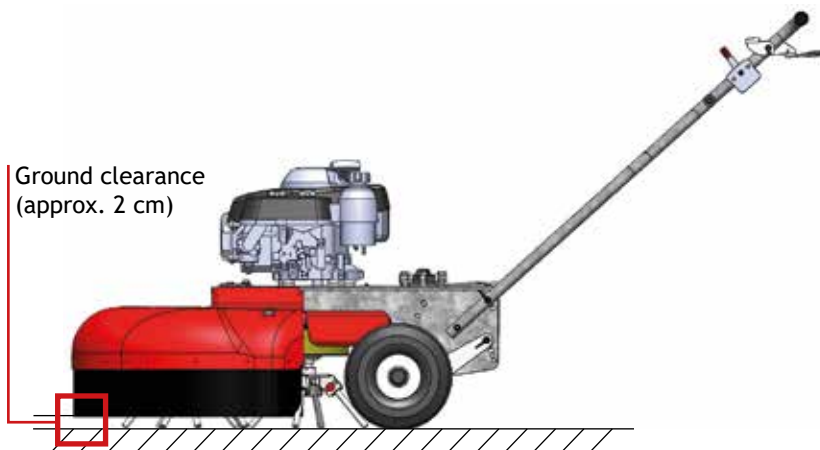
- ✓ Unlock the locking bolt on both sides as shown in the illustration.
- ✓ Raise or lower the machine to the desired position.
- ✓ Observe the horizontal alignment of the machine.
- ✓ Properly relock the locking bolt in the bore pattern.

9.3 Adjusting the all-round protection

The height of the all-round protection must be adjusted via the adjusting screw to ensure a ground clearance of approx. 2 cm between the lower edge of the all-round protection and the ground at all times.



(Fig. 7 - All-round protection adjusting screw)



(Fig. 8 - Ground clearance 2 cm)

9.4 Engine start WKB 660 Honda

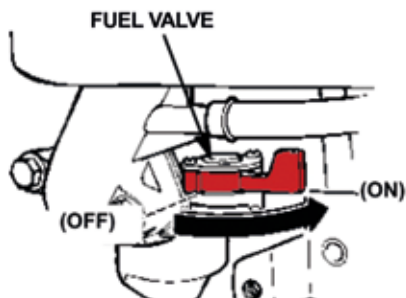
Before starting the engine, make sure that the belt tension lever is in the neutral position (as shown in the figure).



(Fig. 9 - Engine start null position)

9.4.1 Opening the fuel valve

- ✓ The fuel valve is located on the left in the direction of travel, below the air filter.
- ✓ Swivel to the right » Open



(Fig. 10 - Fuel valve)

9 Commissioning

9.4.2 Cold start



(Fig. 11 - Control cold start)

- ✓ Move the hand throttle to the rearmost position (choke).
- ✓ **START**

9.4.3 Start at operating temperature



(Fig. 12 - Control operating temperature)

- ✓ Move the hand throttle into position slightly above idle.
- ✓ **between MIN and MAX**

9.4.4 Pull cable



(Fig. 13 - Pull cable)

- ✓ First slightly tug the knob of the pull cable until resistance is felt, then pull firmly.

NOTICE

Please allow the pull cable knob to run back slowly. This way you avoid damage to the engine.

9.4.5 After the cold start



(Fig. 14 - Start operating temperature)

- ✓ If the engine was started using the choke, wait until it has warmed up and is running smoothly without choke, then set the hand throttle to the fastest or maximum position. Now set the hand throttle to the desired engine speed.
Optimal performance at full throttle.

9.5 Starting the cleaning process WKB 660 Honda

The weed brush is provided with a robust start and stop mechanism for the brush head. Brush rotation is activated via the shown handle, which can be easily accessed from the normal working position.



(Fig. 15 - Determining the sweeping direction)

Pull the hand lever up.

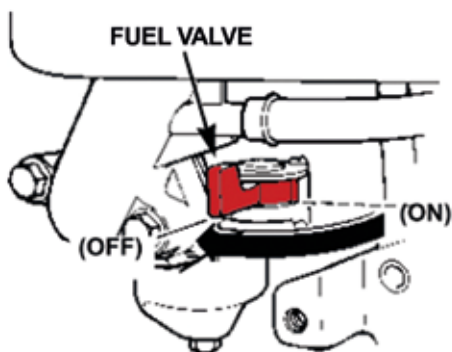
As the type of power transmission from the engine to the brush element is a V-belt drive, a certain amount of friction is required. The degree of wear and operating time of the belts must be observed regularly.

9.6 Engine stop WKB 660 Honda

Move the hand lever to the neutral position (front end position) to stop the rotation of the brush element. Now move the hand throttle to the „Min“ position and then to the stop position.



Now close the fuel valve if you do not want to put the machine back into operation immediately.



10.1 Procedure description

Start in standby position, then move from standby position to working position.

Depending on the amount of cleaning and the degree of contamination, a reaction force is generated on the hand-operated machine which must be compensated by the operator. An abrupt reaction force (kickback) may also occur when the rotating weed brush is pushed against a solid resistance.

Please be careful here!

10.2 Service interval

The first 50 operating hours greatly influence the performance and service life of the machine. The following aspects should be considered to make sure that you can enjoy your WKB 660 for a long time.

- ✓ Check nuts, bolts and screws etc. repeatedly and retighten them if necessary.



Proper maintenance is crucial for the operational safety of the machine.

11.1 General information



All maintenance, repair and modifying work on the **WKB 660 Honda** must only be carried out when it is stopped, the power supply disconnected or the engine switched off. The procedure for stopping the machine must be strictly adhered to as described in the operating instructions.



The **WKB 660 Honda** must be secured in a stable position and prevented from rolling away.



The safety regulations in Chapter 4 apply.

Modifying or altering the machine is only permitted in agreement with the manufacturer. The use of original spare parts and accessories authorised by the manufacturer serves safety purposes. Using any other parts excludes liability for the resulting consequences.

Observe before commencing work:

- ✓ Visually check for damage and defects! Report any changes (including changes in operating behaviour) immediately to the responsible service personnel! If necessary, arrange for immediate decommissioning!
- ✓ Check for completeness and functionality of all accessories. Worn or functionally restricted parts must be replaced. Replacement parts must be ordered from the manufacturer.
- ✓ Check for completeness and legibility of all rating plates, information signs and operating instructions. Replace missing or illegible signs and documents.

Observe during regular maintenance work:

- ✓ If necessary, digitally filed maintenance instructions must be available in paper form during maintenance.
- ✓ For maintenance work involving components from other manufacturers, consult the documentation of the third-party manufacturer if necessary.
- ✓ Maintenance work requiring expert knowledge should be carried out by service personnel.
- ✓ No less than the intervals specified in the maintenance schedule must be observed; however, they may be shorter depending on the operator's specifications and ambient conditions.
- ✓ **Correct safety-relevant defects immediately!**
- ✓ Only use original spare parts and accessories/tools approved by the manufacturer.
- ✓ Only use components with the required specification.

11.2 Motor WKB 660 Honda

NOTICE

Instructions for the maintenance and care of the engine can be found in the enclosed operating instructions. It contains all necessary engine-relevant maintenance steps such as oil change, spark plug change and inspection intervals.

11.3 Lubrication

Regularly check the wheel and brush bearings for leaks. Damaged bearing units must be replaced!

11 Main tenance and servicing

11.4 Replacing the brush element

If the braided wires show signs of wear or defects, it is possible to replace each wire brush braid with a new one individually. Please follow the steps below.

11.4.1 Removal and attachment of wire brush braids

Empty the fuel tank of the WKB 660 Honda to be able to tilt the power sweeper. Now tilt the power sweeper backwards to enable access (lay handles on the floor to stabilise the machine and ensure safe access).



DANGER

Risk of crushing due to falling weed brush!

The weed brush can uncontrollably be tilted by external influences, thus causing dangers.



Therefore:

- ⇒ Tilt the weed brush by carefully following the steps.
- ⇒ If necessary, secure the weed brush in its position by placing additional weight on the handle.



(Fig. 19 - Replacing the brush element)



(Abb. 18 - Drahtzöpfe wechseln)

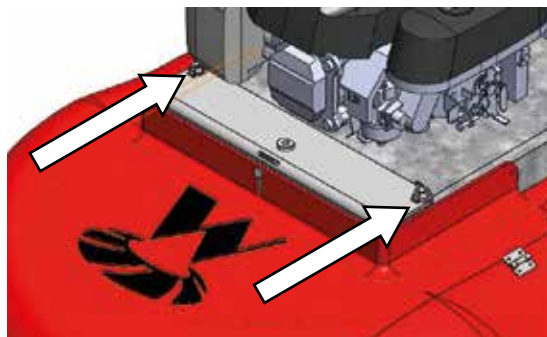
The wire brush braids are located in one of the three mounting consoles. Each mounting console has four mounting points for the separate wire brush braids. The braided wire can easily be pulled out from below by unlocking the mini indexing plungers as shown in the figure. If the other braided wires show similar signs of wear, this step must be repeated.

NOTICE

Reassemble by following the disassembly steps in reverse order.

11.5 Replacing the V-belt | Tightening the V-belt

Loosen the two clamping screws of the brush container V-belt as shown in the figure, then push the plate opposite to the direction of travel. Push the plate in so far that the V-belt, which runs along the groove in the brush container, relaxes as much as possible.



(Fig. 20 - Belt clamping screws)

Now lever the V-belt out of the groove, moving it from bottom to top (use a screwdriver if necessary). Turn the brush element until the V-belt moves up and out of the groove completely.

Drive belt designation: **SPZ 2137**

Please use original fabric V-belts from the authorized dealer only!

Reassemble by following the steps in reverse order.

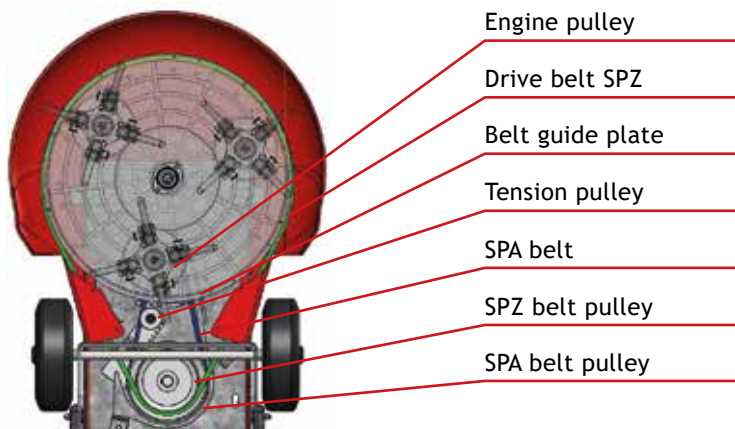
The V-belt clamping screw must now be readjusted to ensure proper power transmission from the engine to the brush element. Tension the V-belt with an appropriate tool (e.g. screwdriver) by inserting it into the grooves shown above and applying the levering force required for tensioning the V-belt.

NOTICE

Please make sure that you do not overtighten the plate and the clamping screws, or the bearing of the engine or brush will be damaged.

Put two fingers against the V-belt and try to push it in for approx. 20mm. If this is possible, the tension is sufficient to transmit the power.

11.5.1 Belt overview WKB 660 Honda



(Fig. 21 - Replacing the direction-changing belt)

11.5.2 Engine belt replacement

Before the engine belt can be replaced, the SPZ drive belt must be properly removed.

Loosen the belt guide plate to access and lever out the belt in the groove of the SPA belt pulley. Follow the steps in reverse order to put the new V-belt into the groove of the engine drive pulley and drive pulley.

Drive belt designation: **Keilriemen 13 x 900**

Please use original belts from the authorized dealer only!

Finally, install the belt guide plate and the drive belt according to the technical requirements in these operating instructions.

11.6 Screw fittings

Check bolts and nuts for tightness after five hours of operation for the first time, then regularly (every 50 hours) and retighten if necessary.

- All torques TA are standard values for standard metric threads according to DIN. Coefficient of friction 0.14 - new screws - unlubricated. These values have been recommended as standard values by various screw manufacturers. We cannot assume any liability for the application.
- Self-locking nuts must be replaced after each disassembly.



Torque for screws TA						
Thread	3.6	5.6	6.8	8.8	10.9	12.9
M6	3.43	4.51	8.73	10.3	14.71	17.65
M8	8.24	10.79	21.57	25.50	35.30	42.17
M10	16.67	21.57	42.17	50.01	70.61	85.32
M12	28.44	38.25	73.55	87.28	122.58	147.10
M14	45.11	60.80	116.70	135.27	194.17	235.36
M16	69.63	93.16	178.46	210.84	299.10	357.94
M18	95.13	127.40	245.17	289.30	411.88	490.34
M20	135.33	180.44	348.14	411.88	576.50	669.26
M22	162.40	245.17	470.72	558.98	784.45	941.44

11 Maintenance and servicing

11.7 Measures after maintenance

After completing all maintenance work, perform the following steps:

- Make sure that all previously loosened bolts are tightened.
- Make sure that all previously removed safety devices and covers are properly reinstalled.
- Make sure that all tools, materials and other equipment that have been used are removed from the working area.
- Clean the working area and remove cleaning material such as cleaning rags etc.
- Make sure that all safety devices function properly.

11.8 Note on servicing work

NOTICE

Only original spare parts may be used for servicing work and components replaced for this reason.

11.9 List of records

NOTICE

Events and interventions must be recorded in a list of records. The lists of records must be filed digitally and/or in paper form.



Hot surfaces



Danger of injury due to hot surfaces!

Excessive use may lead to the parts and components of the machine heating up and causing personal injury if directly touched.

Therefore::

- ✓ The machine may only be operated by trained personnel.
- ✓ Perform all operating steps according to the information in these operating instructions.
- ✓ Mark all affected components with warning notices.



Machine kickback



Danger of injury due to unpredictable machine movements!

Unpredictable machine movements may lead to personal injury or damage to property.

Therefore:

- ✓ The machine may only be operated by trained personnel.
- ✓ Perform all operating steps according to the information in these operating instructions.
- ✓ Sweepings and sweeping quantity must be considered
- ✓ Check brush height
- ✓ Avoid collisions with solid objects



Improper operation



Danger of injury due to improper operation!
Improper operation may lead to personal injury or damage to property.

Therefore:

- ✓ The machine may only be operated by trained personnel.
- ✓ Perform all operating steps according to the information in these operating instructions.
- ✓ Before commencing work, ensure that all fastenings are properly installed and undamaged.
- ✓ Observe order and cleanliness! Loose objects such as tools, cables and components that are lying around or piled up are sources of accidents.



Movements during operation



Danger of injury due to moving components!
During operation, individual components or parts of the machine may move and lead to dangerous situations.

Therefore:

- ✓ Always observe the danger area during operation and ensure that no unauthorised persons are present therein.
- ✓ Use the main switch to switch off the equipment and secure it against reactivation before performing any work on the machine.
- ✓ Perform all operating steps according to the information in the operating instructions.
- ✓ Do not operate the machine without the safety devices. Before commencing work, firmly mount all safety devices.

13 Storage conditions

Park the Westermann WKB 660 in a dry and clean place and secure it against accidental reactivation.



(Fig. 22 - WKB 660)

Danger of accidents!



Secure the weed brush in a stable position and prevent it from rolling away.

- Park the machine horizontally in standby position.



(Fig. 23 - Standby position)

NOTICE

Check the vehicle for damage! Clean the WKB thoroughly if necessary. Dirt attracts moisture and leads to corrosion. Repair paint damage if necessary.

14 Cleaning

The following points must be observed for cleaning.



- Cleaning with water or a high-pressure cleaner is not permitted.
- Clean only with compressed air or aids such as hand brushes.

Dirt attracts moisture and leads to corrosion.

15.1 WKB 660 Honda

Fault	Cause	Corrective Measure
Engine does not start	<ul style="list-style-type: none"> • Engine failure • Brush rotation hand lever not in neutral position 	<ul style="list-style-type: none"> • See troubleshooting in the engine operating manual. • Move hand lever to neutral position (right).
brush does not sweep correctly	<ul style="list-style-type: none"> • Sign of wear of the wire brush braids • Screw fittings loose 	<ul style="list-style-type: none"> • Replace wire brush braids • Check screws and retighten if necessary
Brush does not rotate or is stopped by small resistance	<ul style="list-style-type: none"> • V-belt defective • Drive belt pre-tension insufficient • Selection lever position incorrect 	<ul style="list-style-type: none"> • Check V-belt and replace if necessary • Tighten drive belt clamping screw • Move selection lever to drive position
Brush does not rotate despite the selection lever being set	<ul style="list-style-type: none"> • V-belt defective • Drive belt pre-tension insufficient • Insufficient belt pre-tension (lever can be pushed past designated holes) 	<ul style="list-style-type: none"> • Check V-belt and replace if necessary • Tighten drive belt clamping screw • Adjust belt tensioner

16 Decommissioning

16.1 Decommissioning

After decommissioning, the WKB must be stored properly. Observe the following when storing the machine:

- The WKB must be positioned and safely secured to prevent it from tipping over or falling.
- The ambient conditions at the storage location must match the required conditions (see technical data).
- Machinery without adequate protection must be protected from climatic influences and aggressive substances if these can affect safety.

If the machine is not used for a longer period of time, conservation measures may have to be taken to prevent corrosion and other damage.

16.2 Disassembly / Disposal

Disassembly/disposal should be performed by a specialist. Recycling and waste management specialists make sure that waste is correctly disposed of and recycled. The available raw materials of the weed brush must be sorted according to disposal type and material. The copper-containing components such as cables can be recycled. Equipment such as fuses, batteries, capacitors, controls, etc. must be disposed of as electrical scrap; they may not be disposed of with the household waste to prevent damage to the environment. The carrier frame can be recycled as scrap metal and the protective hoods made of plastik must be disposed of separately.

The following policies are valid from 01.01.2002 for the Westermann warranty.

1. For Westermann products of the consumer goods sector (private use), which have been sold via the Westermann specialist trade, the warranty period is 2 years from the date of sale to the end customer. For Westermann products of the capital goods sector (commercial/professional), which have been sold via the Westermann specialist trade, the warranty period is 1 year from the date of sale to the end customer.
2. The warranty covers defects which can be traced back to material and/or manufacturer defects. All faults occurring due to a Westermann product or production defect during the warranty period will be acknowledged and corrected by repair or a spare parts delivery via a Westermann specialised dealer.
3. Excluded from this are wear parts such as Bowden cables, starter ropes, V-belts, bearings, clutch plates, tyres, air filters, spark plugs, glow plugs, fuel filters, oil filters, sweeping brushes, rubber lips, batteries if these cannot be proven to have clear material defects.
4. Warranty claims are generally excluded in the event of inadequate maintenance and care. Regular maintenance and cleaning of the product as specified in the Westermann operating instructions is essential. Damage due to improper maintenance and cleaning cannot be accepted as a case of warranty.
5. The operating instructions for the respective product as well as the safety notes must be observed. Damage caused by faulty operation, improper use or use of accessories not authorised by Westermann GmbH & Co. KG, cannot be accepted as a case of warranty.
6. Make sure that only original Westermann spare parts and Westermann accessories are used. They can be obtained from Westermann specialised dealers. Damage and an increased danger of accidents cannot be ruled out if other than original Westermann spare parts or Westermann accessories have been used. These consequential damages are not subject to warranty claims.

17 Warranty policy

7. As from 01/01/2002, only Westermann warranty claim forms must be used. The warranty claim forms are mandatory. Exceptions will not be accepted. Warranty claim forms without the required information cannot be processed and will be returned unprocessed for completion of the missing information.
8. The Westermann Machine and Warranty Pass (warranty document) must be sent to Westermann Customer Service within 4 weeks of the sale of the product, complete with the information on the end customer, the end customer's confirmation by signature and the indication of use (private | commercial | professional).
9. The warranty period for original Westermann spare parts is 2 years if the installation by a Westermann specialised dealer is proven (for wearing parts the limitation under point 3 applies). For warranty claims relating to spare part deliveries or warranty repairs, we ask you to keep the relevant parts on call for 2 months after receipt of the warranty claim. We may require the relevant part for examination.
10. As from 01/01/2002, for logistical reasons, spare parts required for warranty purposes can only be ordered via Westermann Customer Service. From Monday to Friday between 08:00 a.m. and 4:30 p.m., telephone orders are accepted on +49(0)5931 / 49690-0. Please state the item no., the serial no. of the device in question and the customer no. You may also forward your warranty spare parts order to us via fax: +49(0)5931 / 49690-99.
11. Should your warranty claim be rejected, you will be charged for the ordered spare parts at their usual purchase conditions. The invoice will also be issued if no warranty claim has been received by Westermann Customer Service within 4 weeks. If a Westermann spare part for warranty repairs is not available at short notice (within 2 working days) and you use an original Westermann spare part from your stock to repair the damage, we will deliver a replacement free of charge as soon as it is available again or can be supplied by Westermann Customer Service. If a spare part is no longer available (NLA), the purchase price paid by you will be refunded.

17 Warranty policy

12. The complained parts or machines are to be sent free of charge to the Westermann works in Meppen. After the warranty has been accepted, the freight costs will be reimbursed.
13. The warranty claim must be submitted to Westermann Customer Service no later than 5 working days after the repair has been performed to ensure a fast processing. Warranty claims received 3 months after repair can no longer be processed.
14. All previous warranty guidelines as well as the conditions of the general terms and conditions and point 7 hereby lose their validity.

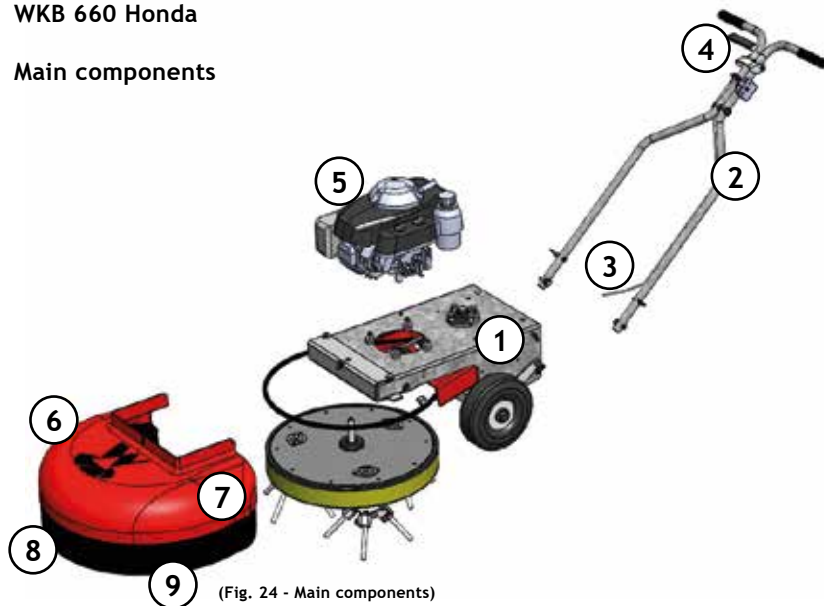


Westermann GmbH & Co. KG

18 Spare parts list

18.1 WKB 660 Honda

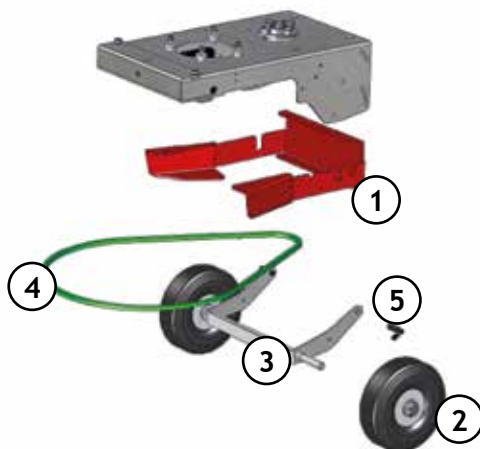
18.1.1 Main components



Pos.	Item no.	Designation	DIN	Quantity
1	LA-00-00844	Base frame		1
2	DR-00-00123	Handle tube		1
3	KT-00-00862	Bowden cable brush drive		1
4	LA-00-00898	Handle brush drive		1
5	MO-00-00020	Drive engine GXV 160		1
6	LA-00-00902	Protective hood - plastic		1
7	LA-00-00901	Side flap - plastic		1
8	PE-00-00046	Protective hood - rubber blanket		1
9	PE-00-00045	Protective hood - rubber blanket		1

18 Spare parts list

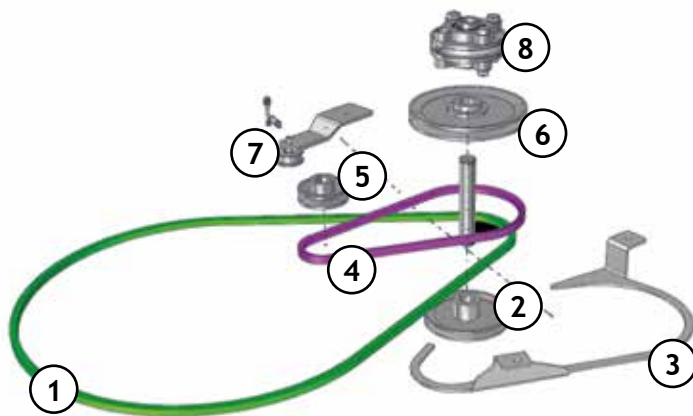
18.1.2 Base frame



(Fig. 25 - Base frame WKB)

Pos.	Item no.	Designation	DIN	Quantity
1	PE-00-00030	Underframe		1
2	RE-00-00021	Pneumatic tyre 260 x 85 foam-filled		2
3	DR-0-00174	Axle		1
4	KT-00-00430	V-belt SPZ 2137		1
5	KT-00-00793	Locking bolt		2

18.1.3 Belt overview



(Fig. 26 - Belt overview)

Pos.	Item no.	Designation	DIN	Quantity
1	KT-00-00430	V-belt SPZ 2137		1
2	DR-00-00177	SPZ belt pulley		1
3	LA-00-00846	Belt guide plate		1
4	KT-00-00431	V-belt 13 x 900		1
5	KT-00-00815	Belt pulley engine		1
6	DR-00-00176	SPA belt pulley big		1
7	DR-00-00178	Tension pulley		1
8	KT-00-00234	Flange bearing		1

18.1.4 Brush container WKB

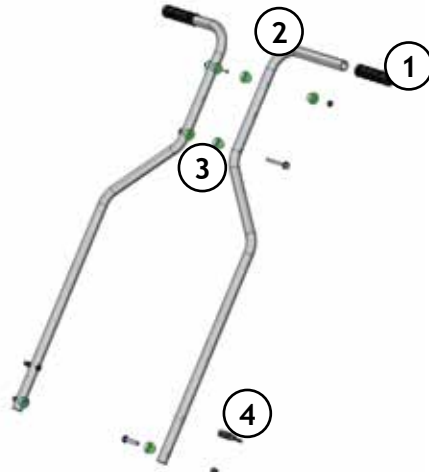


(Fig. 27 - Brush container WKB)

Pos.	Item no.	Designation	DIN	Quantity
1	KT-00-00830	Brush container		1
2	KT-00-00708 KT-00-00696	Flange bearing unit		7
3	SB-00-00074	Wire brush braid holder		3
4	KT- 00-00709	Wire brush braid		12
5	DR-00-00151	Connecting shaft		1
6	DR-00-00152	Shaft wire brush		3
7	KT-00-00818	Locking bolt wire brush braid		12
8	KT-00-00799	Gear planetary		3
9	KT-00-00694	Gear central		1

18 Spare parts list

18.1.4 Handle



(Fig. 28 - Handle WKB)

Pos.	Item no.	Designation	DIN	Quantity
1	KT-00-00121	Tube handle		2
2	DR-00-00123	Handle tube		2
3	KT-00-00715	Saddle washer 8.4 x 40 x 3		8
4	KT-00-00793	Spring bolt		2

19 List of figures

Fig. 1 - Danger area	14
Fig. 2 - Technical data	22
Fig. 3 - Technical data	23
Fig. 4 - Sweeping principle WKB	25
Fig. 5 - Handle height.....	26
Fig. 6 - Axle adjustment.....	26
Fig. 7 - All-round protection adjusting screws	27
Fig. 8 - Ground clearance 2 cm	27
Fig. 9 - Engine start null position	28
Fig. 10 - Fuel valve	28
Fig. 11 - Control cold start	29
Fig. 12 - Control operating temperature.....	29
Fig. 13 - Pull cable.....	29
Fig. 14 - Start operating temperature	29
Fig. 15 - Determining the sweeping direction	30
Fig. 16 - Engine STOP.....	31
Fig. 17 - Close fuel valve	31
Fig. 18 - Changing the wire brush braids.....	35
Fig. 19 - Replacing the brush element.....	35
Fig. 20 - Belt clamping screws	26
Fig. 21 - Replacing the direction-changing belt.....	37
Fig. 22 - WKB 660	42
Fig. 23 - Standby position	42
Fig. 24 - Main components	49
Fig. 25 - Base frame WKB.....	50
Fig. 26 - Belt overview	51
Fig. 27 - Brush container WKB	52
Fig. 28 - Handle WKB.....	53

20 Overview maintenance

Date	Maintenance	Done by



Westermann GmbH & Co. KG
Schützenhof 23
D-49716 Meppen

Phone: +49 (0) 59 31 / 4 96 90-0

Internet: www.westermann-radialbesen.de

E-Mail: info@westermann-radialbesen.de

Your expert dealer